

 KPC-N600(N)H


- ◆ 1/3" Sony CCD / 380 TV Lines or 550 TV Lines
- ◆ f3.8~9.5 / 2.5~6.0mm Aspheric Varifocal Lens (Day & Night)
- ◆ 18 IR LED, Max.30m built-in surge protection circuit
- ◆ Option : DC 12V / AC 24V dual Voltage,
Board Lens Available (KPC-N610)

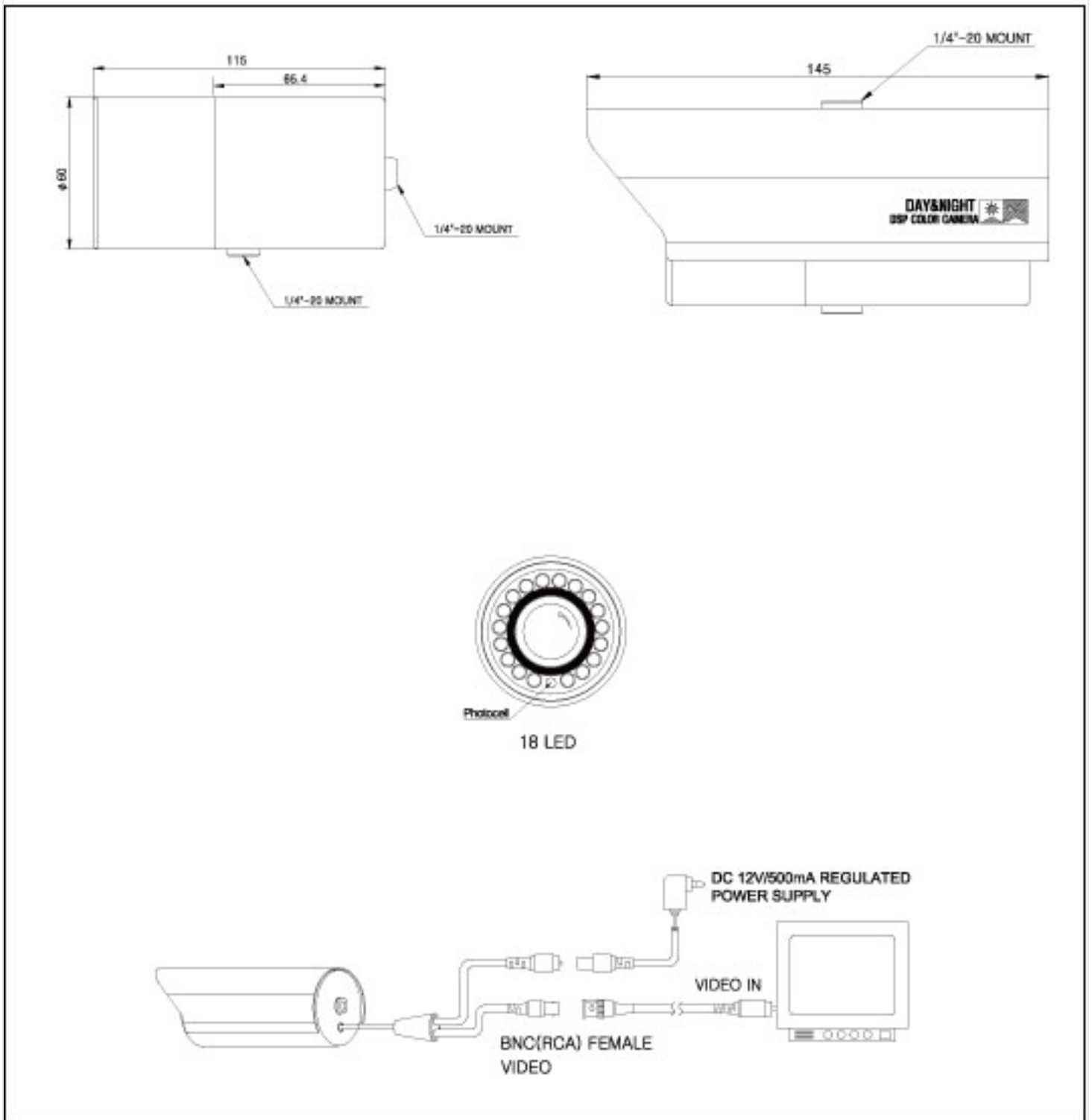

 Specification

Model Name	KPC-N600(N)H	
	NTSC	PAL
Image Device	SONY 1/3" HIGH RESOLUTION SUPER HAD CCD	
Signal System	60Hz	50Hz
Effective Pixels (High-Res.)	768(H) x 494(V)	752(H) x 582(V)
Scanning System	2:1 Interlace	
Sync. System	Internal	
H. Resolution	380TV Lines (Std-Res.) / 550 TV Lines (High-Res.)	
Sensitivity	0.5 Lux / F2.0, 1.0 Lux / F2.0	
S/N Ratio	More than 48dB	
Gamma Correction	$\gamma=0.45$	
Video Output	Composite 1•vp-p•75(•) unbalanced	
Electronic Shutter	1/60 ~ 1/100,000sec Auto	1/50 ~ 1/100,000sec Auto
Power Supply	DC12V (±10%)	
Operating Temperature	-10•C ~ +50•C	
Storage Temperature	-20•C ~ +60•C	

Dimensions	60mm x 145mm (W/Sunshield)
Connection	BNC/DC Cable
Lens	Varifocal Auto Iris lens / Mechanical IR Removing Varifocal Auto Iris lens (f3.8-9.5mm /f2.6-5.6mm Aspheric lens)

Diagram

(UNIT - mm)






KT&C CO.,LTD.

KT&C Main Bldg., 487-4 Bangwaha-dong, Gangseo-gu, Seoul, Korea
Copyright (C) 2004 KT&C Co.,Ltd. All rights reserved.

 82-2-3662-0118

 82-2-3662-0116