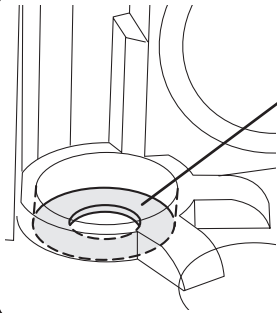


- A1: M4 self tapping screw (1 of 4)
- A2: Moisture seal o-ring (1 of 4)
- A3: Base knockout for cable entry
- A4: Enclosure
- A5: Gasket (supplied attached to pendant mount)
- A6: Orientation rib (1 of 2)
- A7: Pendant mount hemisphere

The ADCDMPEND Pendant mount is designed for use with all Discover Series Mini-Domes and easily allows installation to 3/4" threaded conduit or wall mounts like our ADL0MARM.

## Installing the pendant mount

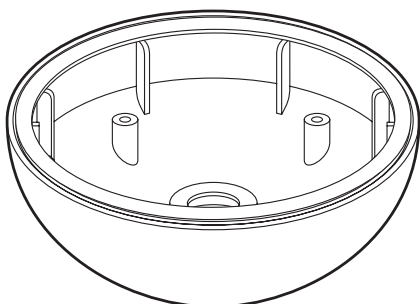
- 1 **Remove the dome cover and camera assembly (if fitted)**  
Follow the instructions provided with the dome enclosure to remove the cover and the camera assembly.  
*Note: When using the pendant mount, the large rubber gasket and outer ring supplied with the dome enclosure (used when surface mounting) are not required and must be removed.*
- 2 **Open the enclosure base holes**  
Carefully open the four base mounting holes (used for securing the enclosure **A4** to the pendant mount **A7**) and also the base knockout **A3** (for cable access).
 



Ensure that the top surface of each hole (where the screw o-rings will locate) are clean and free of debris. If necessary, use a flat blade to carefully remove any material, without scratching the top surface.
- 3 **Place the pendant mount hemisphere in position**  
Screw the pendant mount hemisphere onto a suitable conduit that has a 3/4" NPT thread. The pendant mount is also designed to work with compatible wall mounts, like our ADL0MARM, which have a 3/4" thread.  
**For damp location installations:** Use PTFE tape on the screw thread to ensure a tight moisture proof seal. If the power and video wiring is not already in place through the conduit, complete that stage now. Ensure that cable entry from conduit is adequately sealed with a silicone sealant (or similar) to prevent condensation from inside the conduit running down into the pendant enclosure.
- 4 **Place the enclosure into the pendant mount hemisphere**  
*Note: Ensure that the two locking arms of the enclosure are fully retracted (please see Discover Mini-Dome enclosure installation sheet for details). Also, ensure that the large rubber gasket (supplied with the enclosure) is removed and that the gasket **A5** (supplied with the pendant mount) is seated correctly on the inner rim of the pendant mount hemisphere.*  
The enclosure will fit to the pendant mount only in one of two orientations due to the two extra ribs **A6** which must be aligned with the grooves that are used by the two locking arms.  
Feed the power and video wiring through the enclosure base knockout.
- 5 **Secure the enclosure using the four self tapping screws**  
Use the four supplied M4 self tapping screws **A1** (each with an o-ring **A2** fitted to form a moisture seal) to secure the enclosure to the pendant mount hemisphere.
- 6 **Fit the camera assembly and replace the dome cover**  
Follow the instructions provided with the dome enclosure (and camera) to fit the camera assembly, connect the wiring, set-up the camera and replace the dome cover.



## ADCDMPEND - DISCOVER MINI-DOME Pendant Mount Installation Sheet



## Packing list

In addition to this installation sheet, your package should contain:

- 1 x ADCDMPEND Pendant adaptor
- 4 x M4 self tapping screws
- 4 x O-ring seals

## Specifications

- Weight: 8.4oz (240g)
- Mechanical dimensions: 5.5" x 2.75" (140mm x 70mm)
- Material: GFN30-66